

## Product Data Sheet

# FPB23580

Power Distribution Block  
 175 Amps, 600 Volts (AC/DC)



### Wire Range:

Line side: (1) 2/0 - #14 AWG

Load Side: (6) #4 - #14 AWG

### Electrical Ratings:

- 175A copper wire, 135A aluminum wire (Based on NEC Table 310-16, 75°C columns)
- CE Rated Voltage (U<sub>i</sub>): 1,000 V AC/DC per IEC 60947-7-1
- 600 Volts AC/DC (Service Equipment according to National Electrical Code, NFPA 70)
- Minimum enclosure size: 16 X 12 X 6
- Factory and Field Wiring

NOTE: Use outside these ratings must be judged in end-use application

### Short Circuit Current Ratings (Copper wire only):

Suitable Conductors (kcmil/AWG)		Overcurrent Protection Fuse Required Class/Max Amp Rating						SCCR, RMS SYM Amps	Volts Max
Line	Load	J	T	RK1	RK5	G	CC		
2/0 - 6	4 - 14	200	200	200	100	60	30	100,000	600

		Overcurrent Protection Circuit Breaker Required				SCCR, RMS SYM Amps	Volts Max
Line	Load	Mfr	Type	Max Amp			
2/0 - 2	4 - 8	Square D	JLL36250	250		65,000	480
2/0 - 6	4 - 12	Allen Bradley	14OU-H6	125		50,000	480
2/0 - 6	4 - 12	Allen Bradley	14OU-H0	125		50,000	480
2/0 - 4	4 - 8	Allen Bradley	14OU-J6	125		35,000	480
2/0 - 4	4 - 8	Allen Bradley	14OU-J0	125		35,000	480

### Mechanical Ratings:

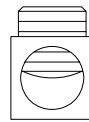
- Insulator base temperature: -40°C/F to 125°C (257°F) UL RTI
- Maximum insulator base plate temperature: 130°C (266°F) UL RTI
- Flammability rating of insulator base: UL 94 V-0

**Materials:**

- Connector: High conductivity aluminum, tin plated
- Insulator base and covers: Glass filled polycarbonate (thermoplastic)
- Insulator base plate: Phenolic laminate
- Terminal set screws: Steel, nickel plated and Aluminum, zinc plated
- Mounting screws: Steel, zinc plated

**Agency Approvals:**

- UL Listed, File No. QPQS.E309401
- Investigated to UL 1953
- UL 508A Feeder Circuit Terminal Spacing for up to 600 Volts
- CSA Certified, CSA C22.2 No. 158, File No LR 19766
- 600V Rating for Class 6228 01 – Use Groups A, B, C
- CE compliant to IEC 60947-7-1
- RoHS Compliant

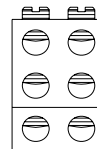


**Wire Ranges:**

**Line Side Wire Range:**

Wire Size	Torque		Copper Wire Stranding Classes - Number of Conductors		
	N.m	in. lbs	Solid	Class B	Class C
2/0 AWG	13.6	120		1	1
1/0	13.6	120		1	1
1	13.6	120		1	1
2	13.6	120		1	1
4	13.6	120		1	1
6	13.6	120		1	1
8	4.5	40		1	1
10	4.0	35	1	1	1
12	4.0	35	1	1	1
14	4.0	35	1	1	1

Aluminum stranded wire range: 2/0 – 14 AWG (70 – 2.5 mm<sup>2</sup>)



**Load Side Wire Approvals:**

Wire Size	Torque		Copper Wire Stranding Classes - Number of Conductors		
	N.m	in. lbs	Solid	Class B	Class C
4 AWG	4.0	35		1	1
6	4.0	35		1	1
8	4.0	35		1	1
10	4.0	35	1	1	1
12	4.0	35	1	1	1
14	4.0	35	1	1	1

Aluminum stranded wire range: #4 – #14 AWG

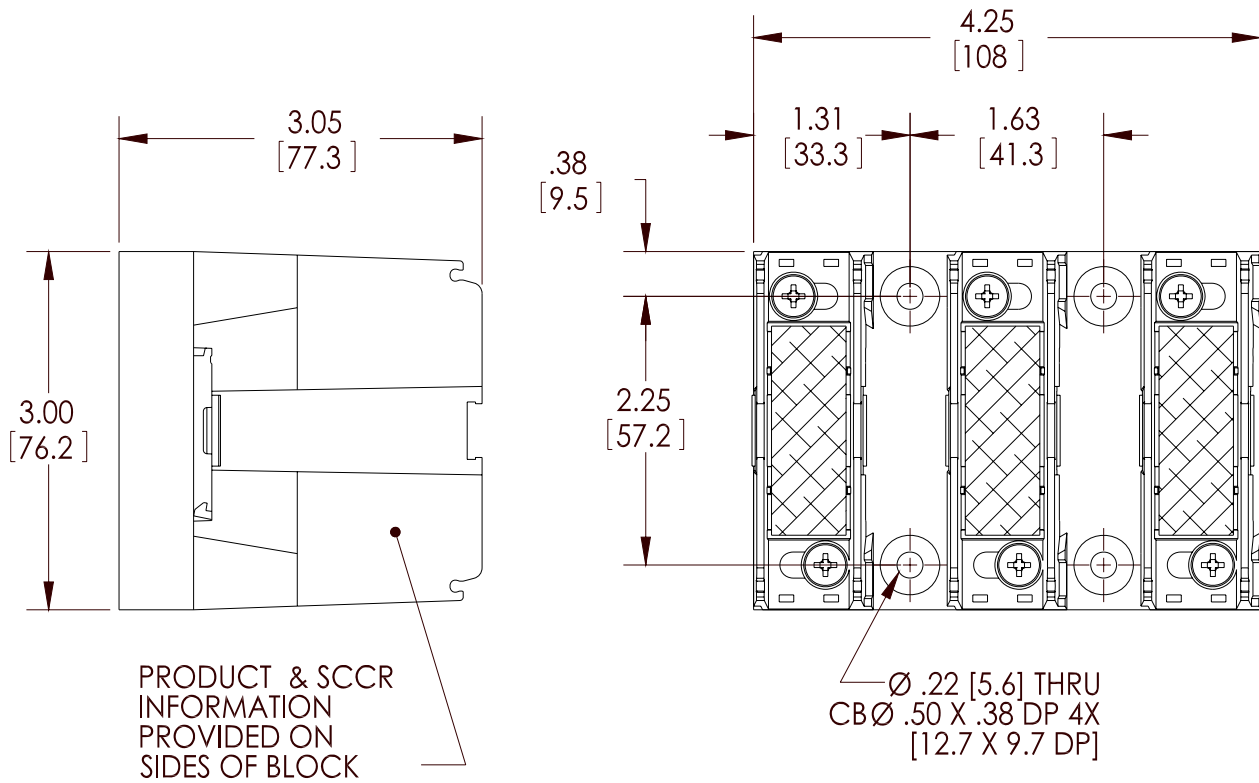
- Wire strip length, line side tap – 11/16”
- Wire strip length, load side tap, top row - 3/8, bottom row – 13/16”
- Hex keys needed: #4 tap – 1/8”, 2/0 tap – 5/16”

**Mounting:**

- Panel mountable: #10 (5 mm) fastener, torque to 25-30 in. lbs.

**Accessories:**

- Marker Strips to mark circuits. Printing available. Consult factory.



[WWW.MARATHONSP.COM](http://WWW.MARATHONSP.COM)  
419-352-8441